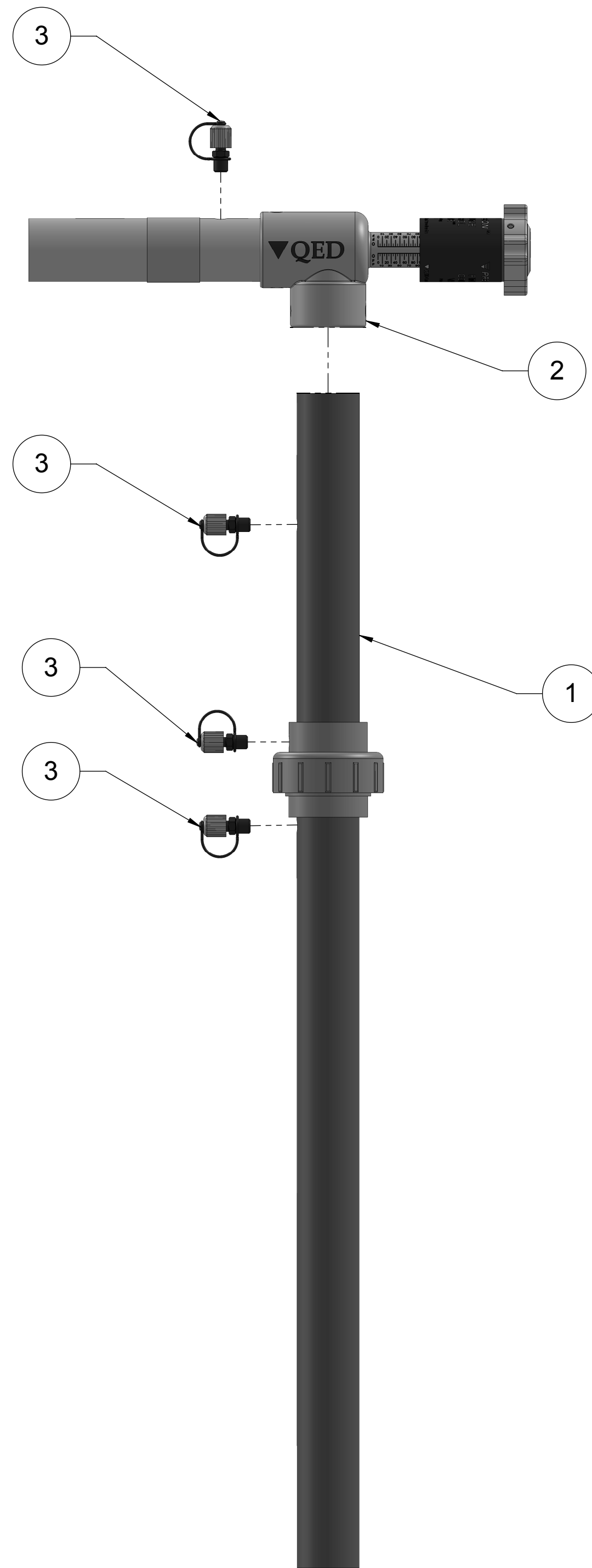


THE INFORMATION CONTAINED IN THIS DRAWING IS THE SOLE PROPERTY OF Q.E.D. ENVIRONMENTAL ANY REPRODUCTION IN PART OR WHOLE WITHOUT THE WRITTEN PERMISSION OF Q.E.D. ENVIRONMENTAL IS PROHIBITED.




REVISIONS					
REV.	DESCRIPTION	ECO #	DRAWN BY	CHECKED BY	DATE
-	RELEASED FOR PRODUCTION	3568	L.N.	D.C.	7-24-14

NOTE:

1. GLUE ITEM (1) 2" ORIFICE PLATE WELLHEAD TO ITEM (2) PRECISION CONTROL VALVE. USE 3M DP8010 ADHESIVE. ALIGN AS SHOWN.

OPU200 ORIFICE PLATE WELLHEAD PVC UNION WITH PRECISION VALVE & MOLDED FITTINGS

ITEM	PART #	DESCRIPTION	QTY.
1	40571	2" ORIFICE PLATE WELLHEAD PVC	1
2	CV2000	PRECISION LANDFILL GAS CONTROL VALVE 2 INCH	1
3	41017	FITTING ASSEMBLY MOLDED SHORT	4

UNLESS OTHERWISE SPECIFIED, DIMENSIONS ARE IN INCHES AND INCLUDE PLATING REMOVE ALL BURRS	DRAWN BY L.N.	DATE 7-24-14	 QED Environmental Systems 6155 JACKSON ROAD, ANN ARBOR, MI. 48103
	CHECKED BY DHE	DATE 7-24-14	
TOLERANCES XX +/- .01 FRACT +/- 1/64 XXX +/- .005 ANGLES +/- 1/2 OTHER TOLERANCES AS SPECIFIED	APPROVED BY D.C.	DATE 7-24-14	
NEXT ASSY -	MATERIAL -	DWG. NO. OPU200	
USED ON -	FINISH -	SCALE 1:1	REV. A
		SHEET OF	